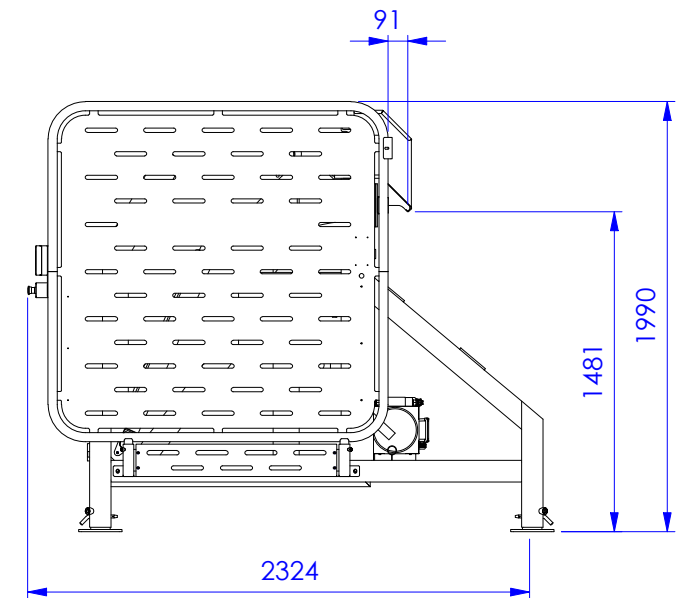
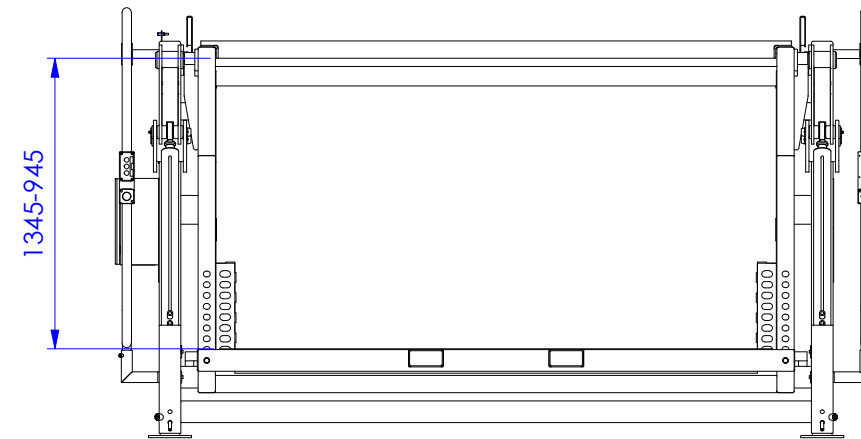
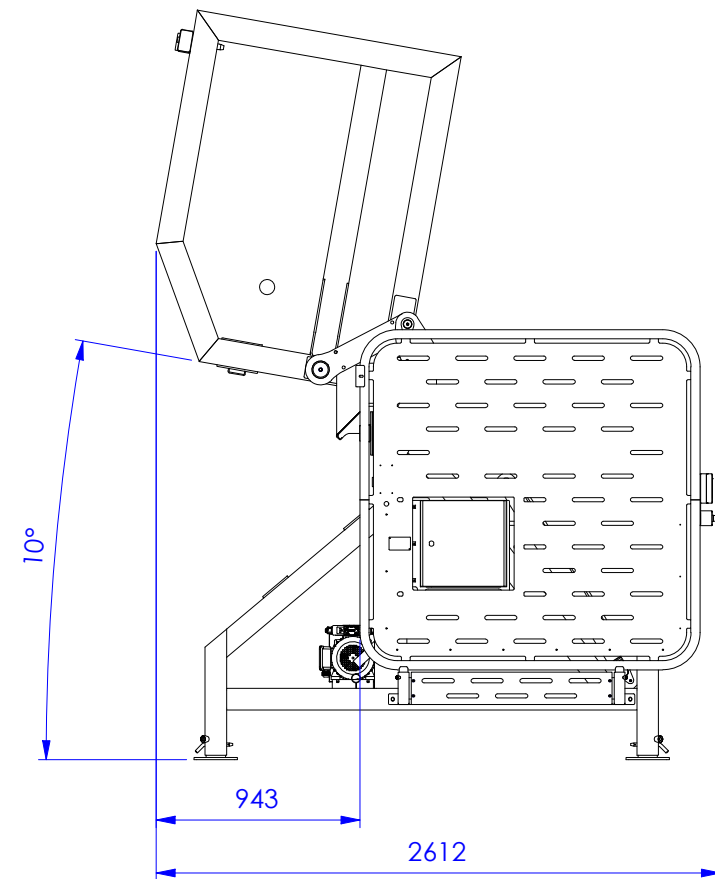
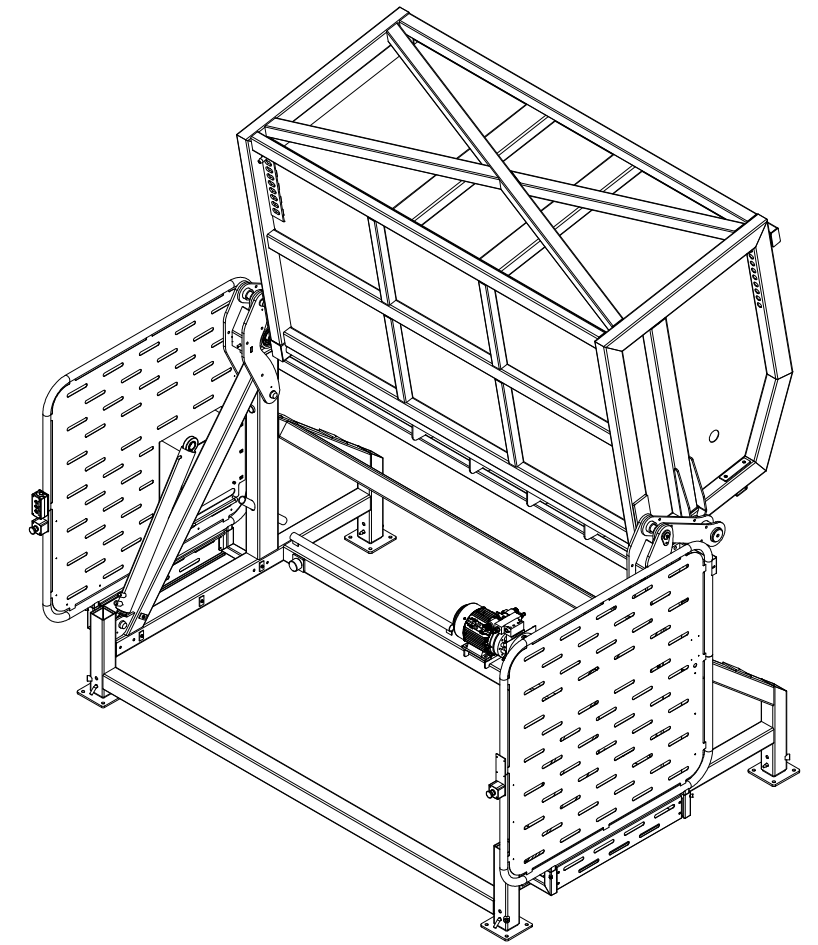
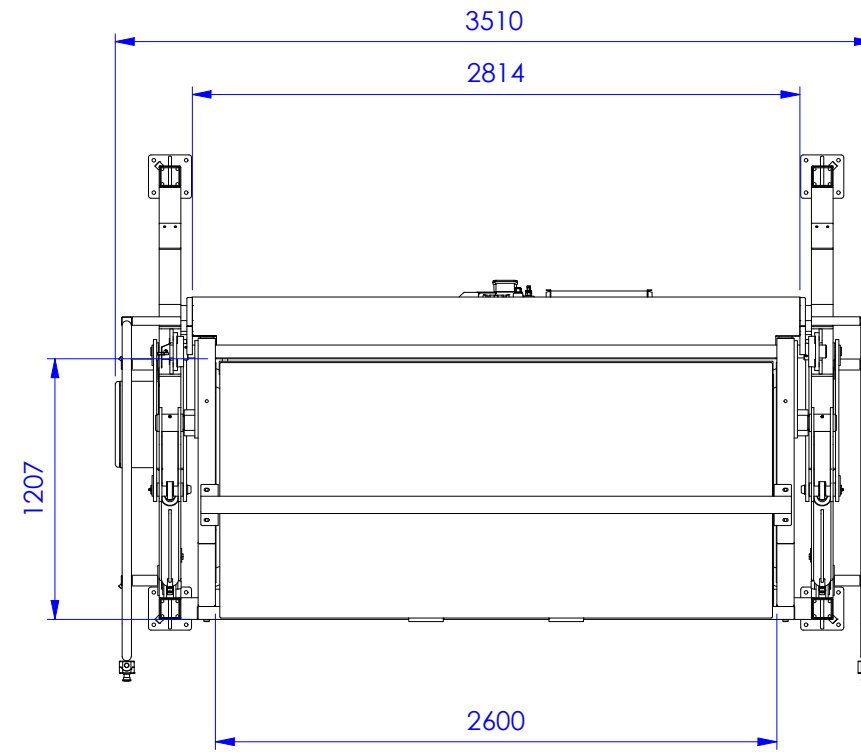
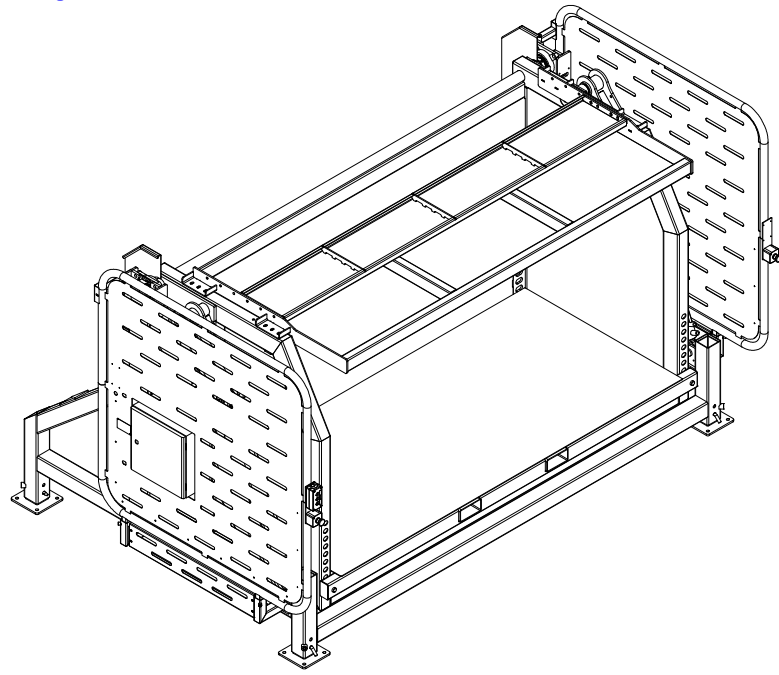


# ZT 240



For discussion only!  
 The dimensions are approximately.  
 We are free to resize and change the machines,  
 when we deem it necessary.

Tol principle: ISO 8015	General tolerances: ISO 20768	Fit system: ISO 286	Geometrical tolerancing: ISO 1101
Project: <b>Box tipper</b> - -			
Description: <b>ZT 240</b>			
Surface: - - -			
Engineer: SRPL	Scale: 1 : 35	<b>00187910</b>	Revision: 00
Date: 2-5-2022	Sheet size: A3		
Unit: mm	Sheet: 1 of 3		