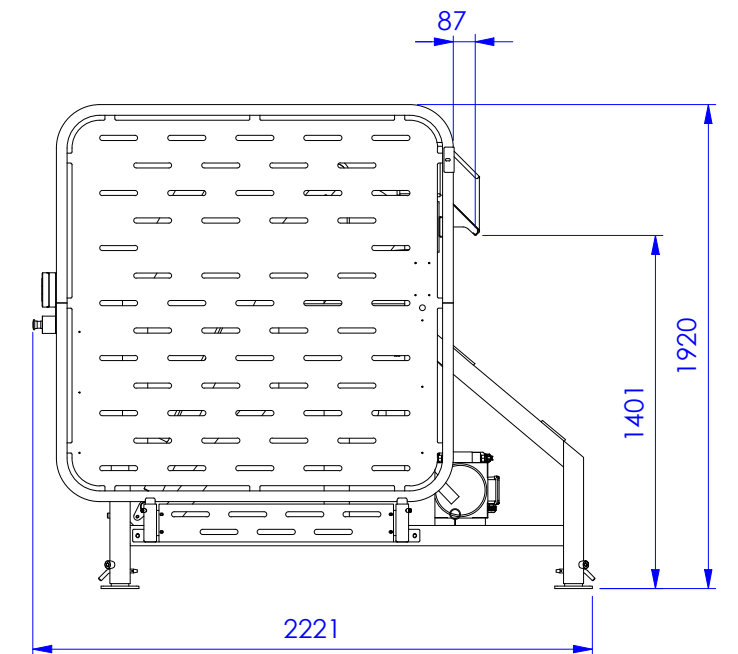
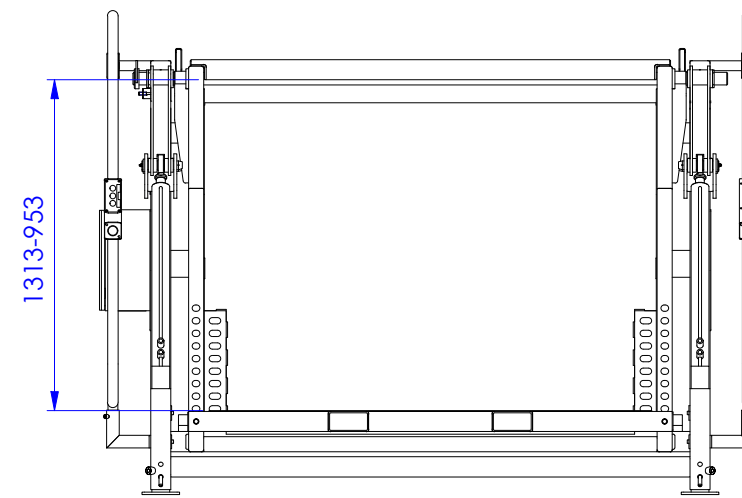
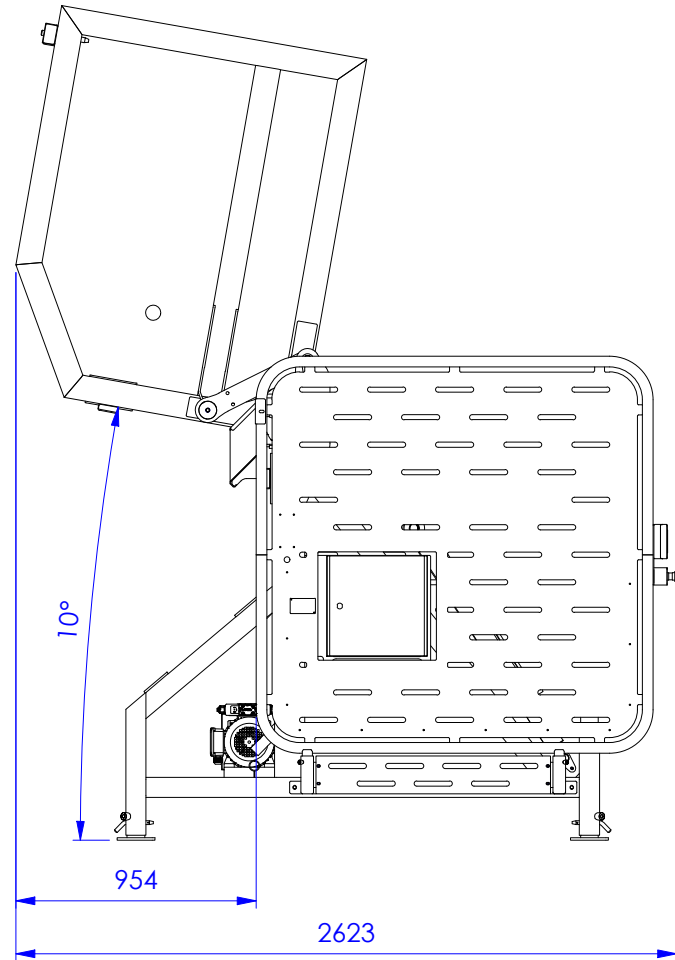
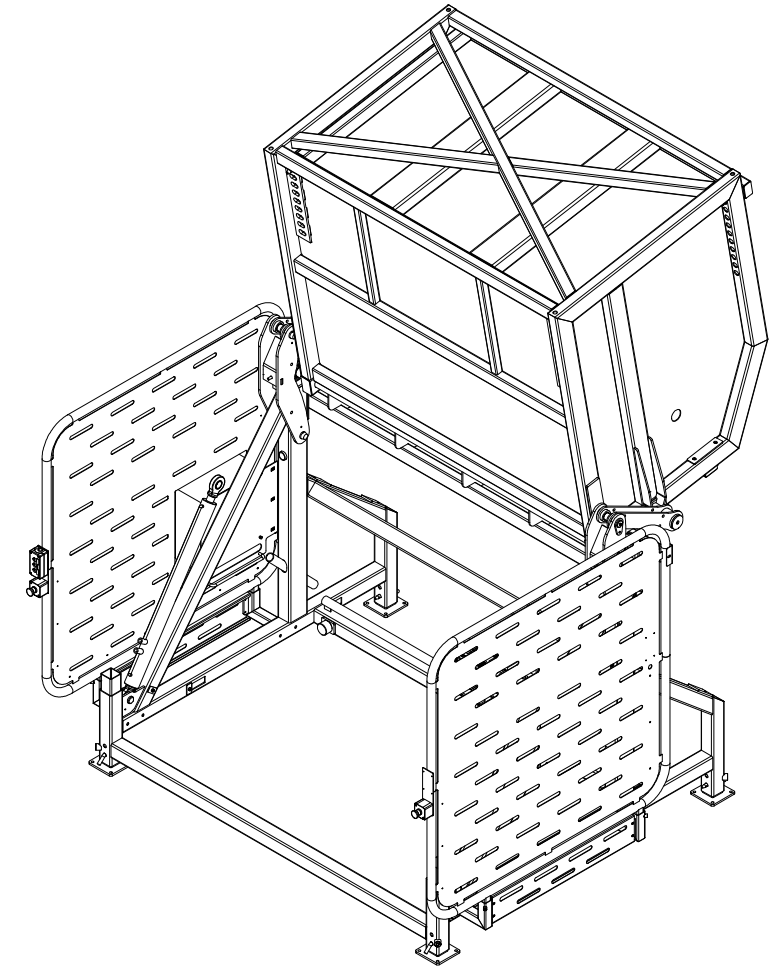
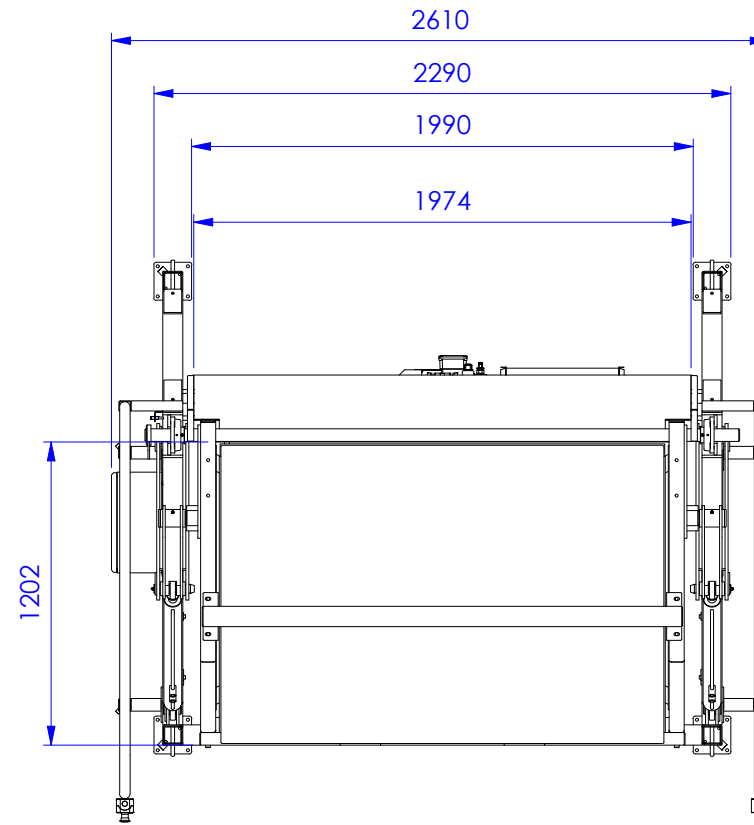
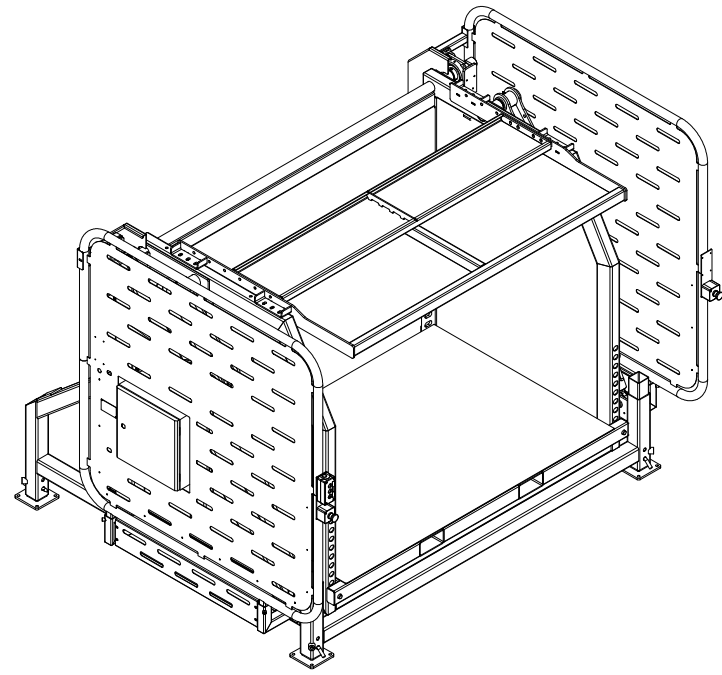
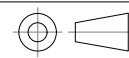



ZT 160



For discussion only!
 The dimensions are approximately.
 We are free to resize and change the machines,
 when we deem it necessary.

Tol principle: ISO 8015	General tolerances: ISO 20768	Fit system: ISO 286	Geometrical tolerancing: ISO 1101
			
			
Project: Box tipper		Description: ZT 160	
Surface: - - -		Engineer: SRPL	
Date: 12-5-2022		Scale: 1 : 30	
Unit: mm		Sheet size: A3	
00150038 Sheet: 1 of 3			Revision: 01