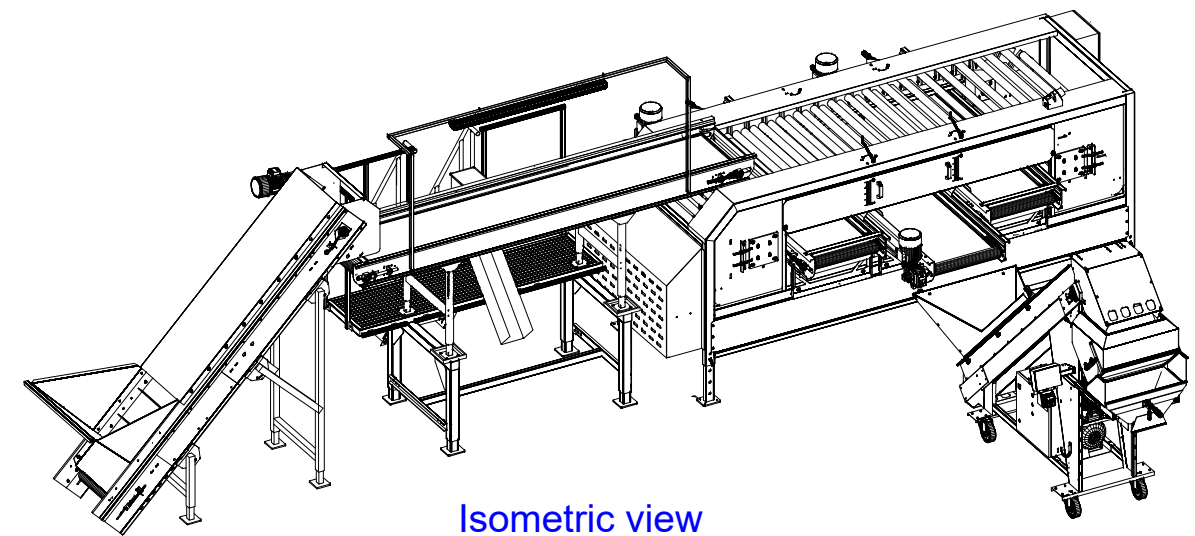
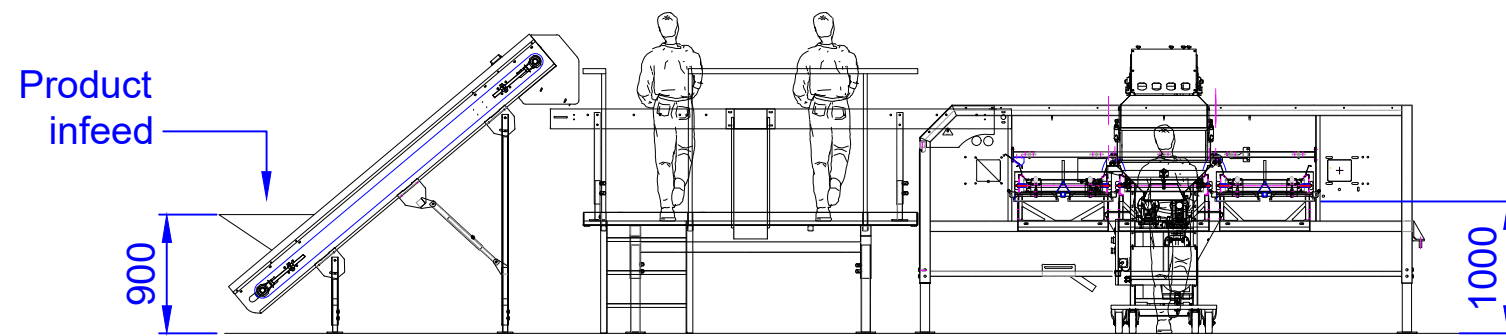


Isometric view
Scale 1:1

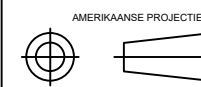


Isometric view
Scale 1:1

4	1	Allround Weighing Machine	AW 50-2	
3	1	Radial Grader	R 80-70-3	With Bag Holder
2	1	Inspection Belt	IB 60-350	
1	1	Elevator	ELR 60-300	
Pos No.	Quantity	Description	Dimension	Note



Layout 100 Day line



GETEKEND: SR
DATUM: 03-2018
SCHAAL: 1:60 A3

PROJECT: Standard
TEK. NR:
VERSIE: 1.01

MATERIAAL: S235/AISI304
OPP. BEH: Coating
KLEUR: RAL 7016/9006